

Imported by Amart Furniture Pty Ltd, Brisbane QLD Australia.  
For any assistance with assembly or for missing parts please phone  
Amart Furniture, Customer Service Free call 1800 351 084

## PRE-ASSEMBLY PREPARATION

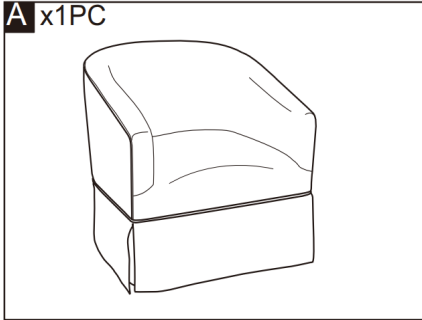
### Before you start:

1. Choose a clean, level, spacious assembly area. Avoid hard surfaces that may damage the product
2. Take care when lifting. Product should be assembled as near as possible to the point of use
3. Ensure that you have all required contents for complete assembly
4. Always read the assembly instructions carefully before beginning assembly.
5. Keep all hardware parts and packaging out of reach of small children.
6. Do not over tighten the screws and bolts as this may damage the threads

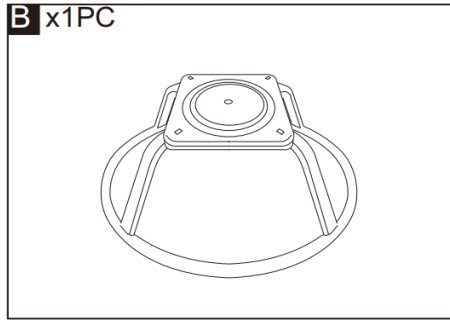


# PARTS LIST

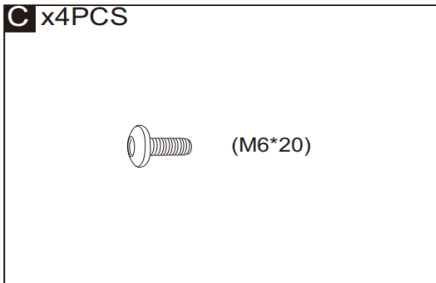
**A** x1PC



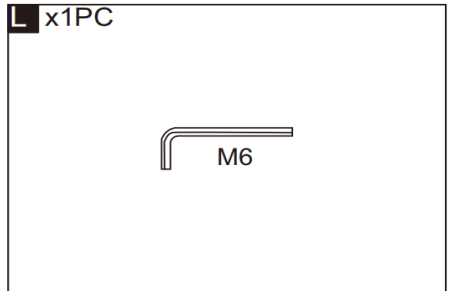
**B** x1PC



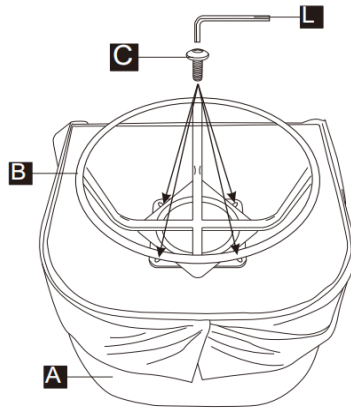
**C** x4PCS



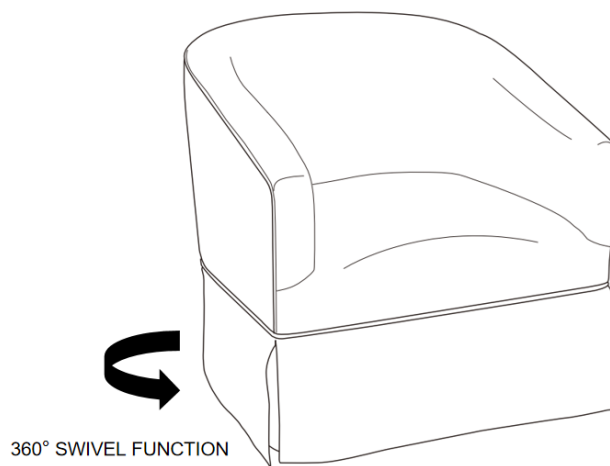
**L** x1PC



**STEP 1: INSTALL BASE (B) TO THE CHAIR (A)  
USE SPANNER (L) AND 4 SCREWS (C) TO TIGHTEN THE BASE (B)  
) AND CHAIR (A)**



**ASSEMBLY IS COMPLETE**



# CARE AND MAINTENANCE

## CHAIRS AND STOOLS

- **Do not:**
  - Use chair/stool as a ladder
  - Climb on the chair/stool
  - Stand on the foot-rest of the chair, as this could lead to the stool becoming unbalanced and overturning

## OTTOMANS, BENCHES AND ACCENT CHAIRS

- **Do not:**
  - Use this product as a step stool or ladder
  - Failure to follow this warning could result in injury